

EOT

LED Emergency Outdoor Tear Drop

Product Description

The LED Emergency Outdoor Tear Drop combines 90-minute emergency lighting with a low-profile, architectural design. The EOT now features CCT selectability, allowing the user to choose their desired color temperature. The EOT is designed for outdoor use, with an optional cold-weather kit for added reliability in colder climates. The EOT comes standard with a photocell providing users added energy efficiency. An internal selector switch allows bypassing the photocell to control the unit from a wall switch. A non-emergency unit is available for locations not requiring battery-backup, providing a uniform look for all fixtures.

Construction

- Durable die-cast Aluminum body
- Separable backplate for easy installation and maintenance

Optical System

- Polycarbonate lens
- Dual emitter array that enables CCT selection of 3500K/4000K/5000K
- >80 CRI to improve safety and color definition in public places.

Electrical

- Input voltage of 120-277VAC, 50/60Hz
- Power Factor = ≥ 0.9
- THD = $\leq 20\%$
- AC only model operating temp rating : -40°F to 113°F (-40°C to 45°C)
- Emergency model operating temp rating : 32°F to 113°F (0°C to 45°C)
- Emergency Cold Weather model operating temp rating : -4°F to 113°F (-20°C to 45°C)
- 2.5kV surge protection standard

Controls

- Integral Photocell for automatic dusk-dawn performance.
- Standard full-range dimming with compatible 0-10VDC dimmers.

Mounting and installation

- Fixture mounts directly to J-Boxes and walls with screws
- Wiring possible through backplate or 1/2" conduit knockout
- For installations where power surge may be possible, NICOR recommends installing additional surge protection at the electrical distribution panel

Finish

- Fine-textured, UV-stabilized powder coat bronze finish

Listings

- LM-79, LM-80 testing performed in accordance with IESNA standards.
- cULus 1598 Listed
- Emergency models meet or exceed requirements of NFPA 70 & NFPA 101
- IP65 Rated
- Meets FCC Part 15, Subpart B, Class A standards for conducted and radiated emissions
- TM-21 Projected L70(9k) life >54,000 hours
- DLC 5.1 Premium

Warranty

- 5-year limited system warranty standard
- Warranty does not cover product failure due to an overvoltage event (power surge).

Project

Catalog

Type

Date



EOT2
3500K/4000K/5000K
LED Emergency
Outdoor Tear Drop



Ordering Information

Example: EOT2UNVSBZP8

Series	Version	Voltage	CCT	Housing Color	Photocell	CRI	Emergency	Cold Weather
EOT	2	UNV (120V-277V)	S (3500K/4000K/5000K)	BZ (Bronze)	P (Standard)	8 (>80)	AC (AC only, non-EM)	__Blank (Emergency)
							EM (Emergency Battery)	CW (Cold Weather) ¹

Specifications and dimensions subject to change without notice.

1) Available with EM versions only

Performance Data

Performance Table

CCT	Lumens	Watts	Lumens/Watt	BUG Rating
3500	1740		131	
4000	1815	13.3	137	B1-U3-G1
5000	1776		134	

Fixture tested per LM-79-08. Photometric data is of the performance of a representative fixture. Results may vary in the field.

Photometric Data

EOT2 5000K

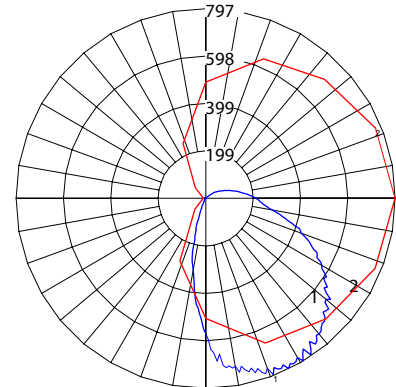
Input Voltage (VAC)	120-277
System Level Power (W)	13.3
Delivered Lumens (Lm)	1776
System Efficacy (Lm/W)	133.5
Correlated Color Temp (K)	4984
Color Rendering Index (CRI)	81
Horizontal Beam Angle (°)	109.2
Vertical Beam Angle (°)	79.4
Spacing Criteria (0-180)	1.86
Spacing Criteria (90-270)	1.28
BUG Rating	B1-U3-G1

Intensity Summary (Candle Power)

Angle	Mean CP
0	569
5	683
15	754
25	788
35	749
45	696
55	601
65	482
75	326
85	215
90	188

Zonal Lumen Summary

Zone	Lumens	% of Luminaire
0-30	409	23%
0-40	662	37.3%
0-60	1196	67.3%
0-90	1636	92.1%
90-180	140	7.9%
0-180	1776	100%

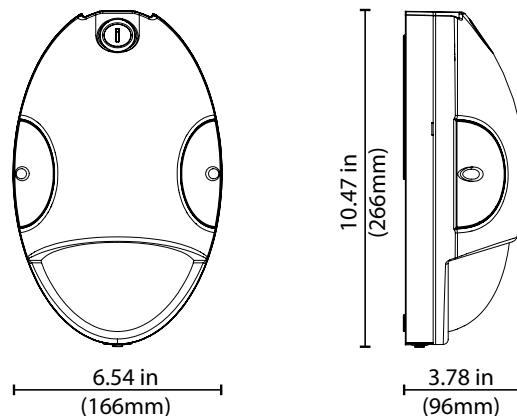


1 - Vertical Plane Through Horizontal Angle
2 - Horizontal Cone Through Vertical Angle

CCT Data Multiplier

3500K	0.980
4000K	1.022

Dimensions



This device complies with part 15 of the FCC Rules. Operation is subject to the following two conditions: (1) This device may not cause harmful interference, and (2) this device must accept any interference received, including interference that may cause undesired operation.

NOTE: This equipment has been tested and found to comply with the limits for a Class A digital device, pursuant to part 15 of the FCC Rules. These limits are designed to provide reasonable protection against harmful interference when the equipment is operated in a commercial environment. This equipment generates, uses, and can radiate radio frequency energy and, if not installed and used in accordance with the instruction manual, may cause harmful interference to radio communications. Operation of this equipment in a residential area is likely to cause harmful interference in which case the user will be required to correct the interference at his own expense.